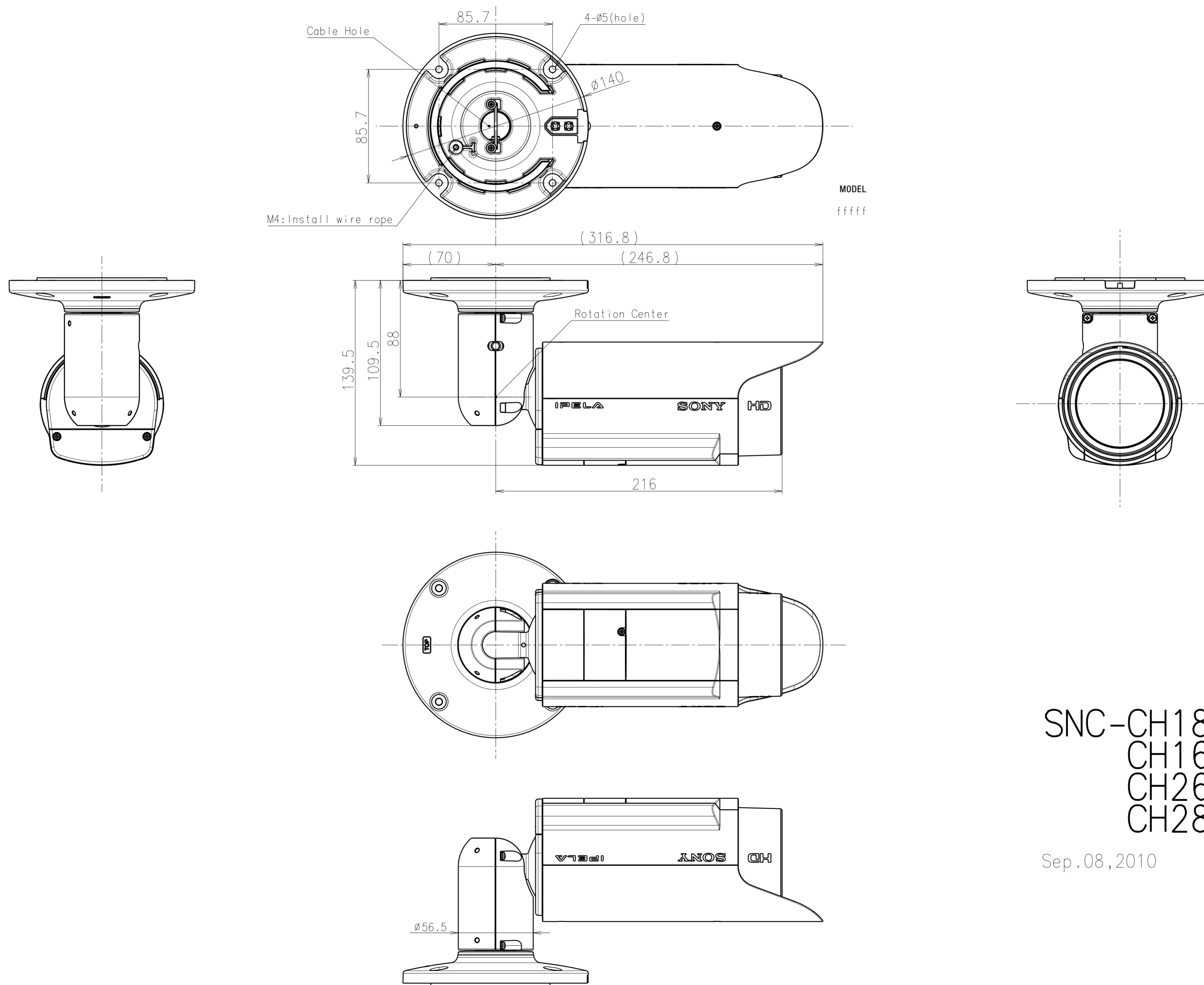


# BRACKET BENDED CIRCUMSTANCE



SNC-CH180  
 CH160  
 CH260  
 CH280

Sep.08,2010