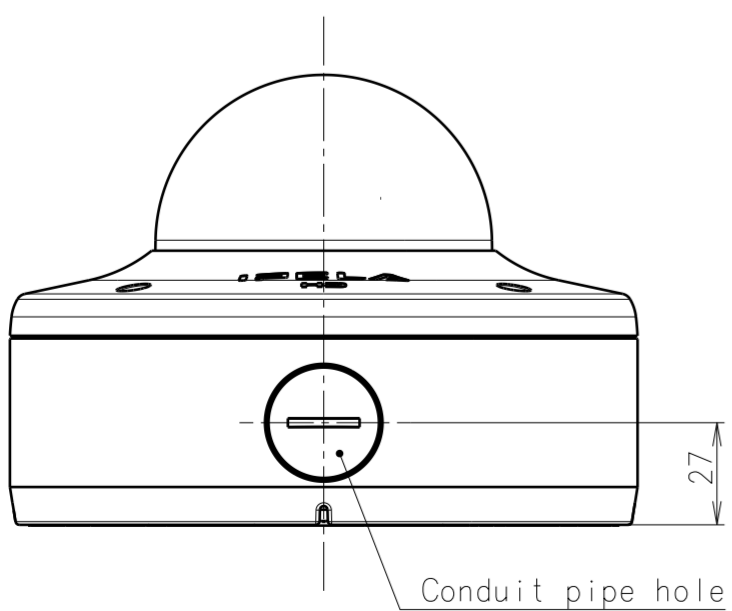
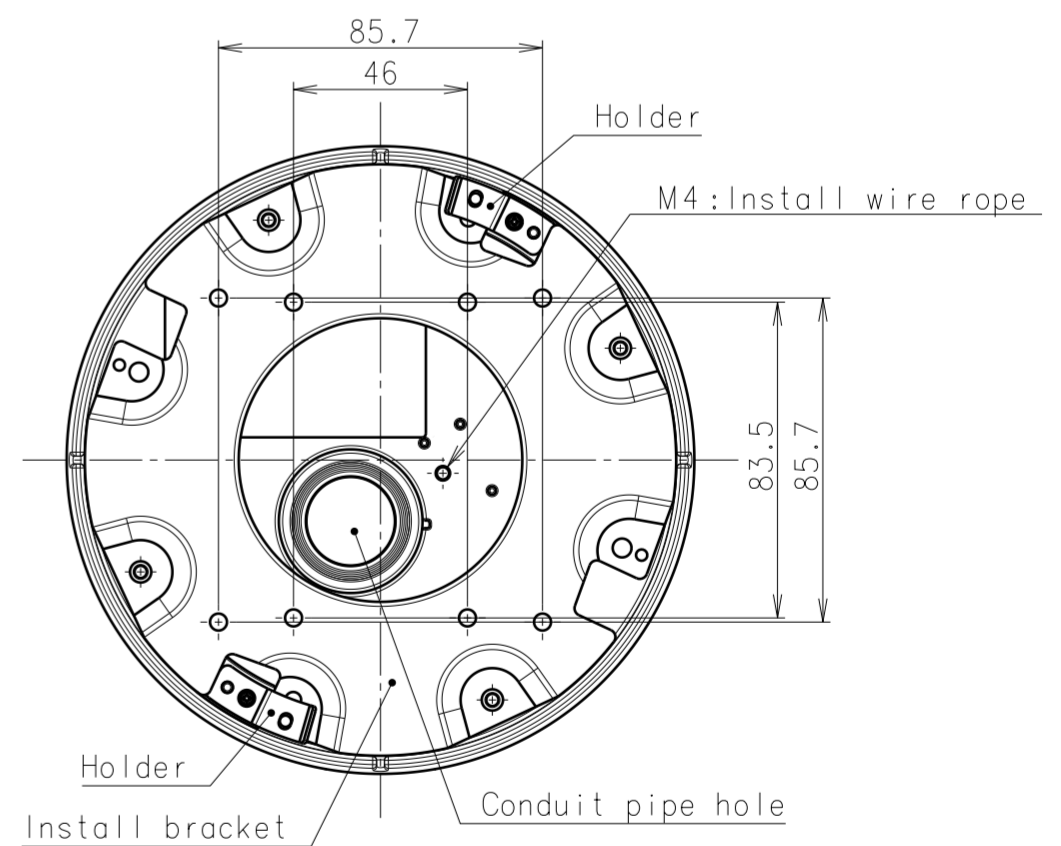
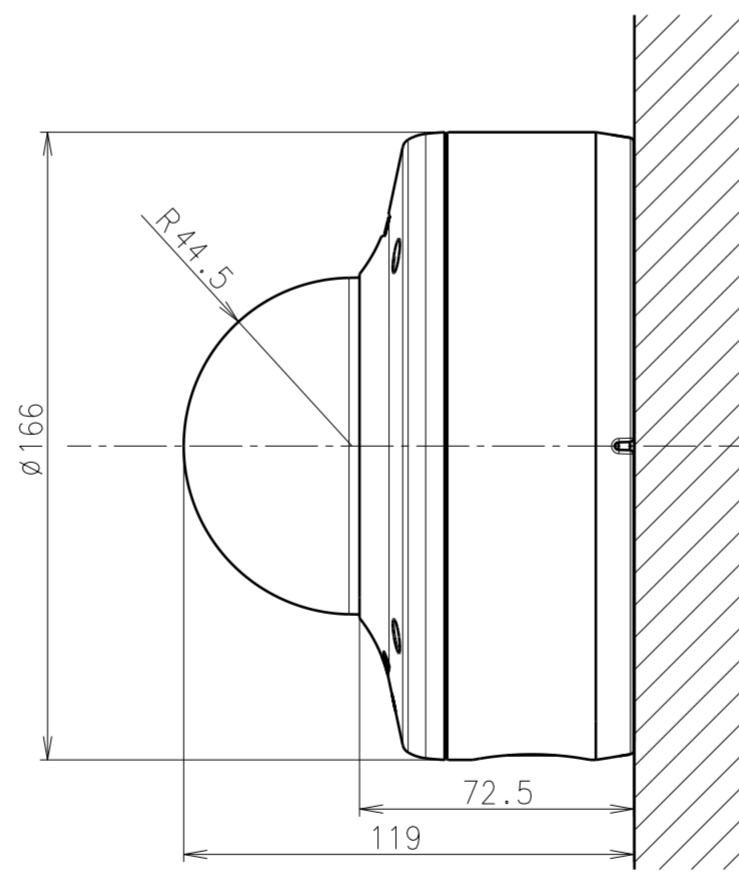
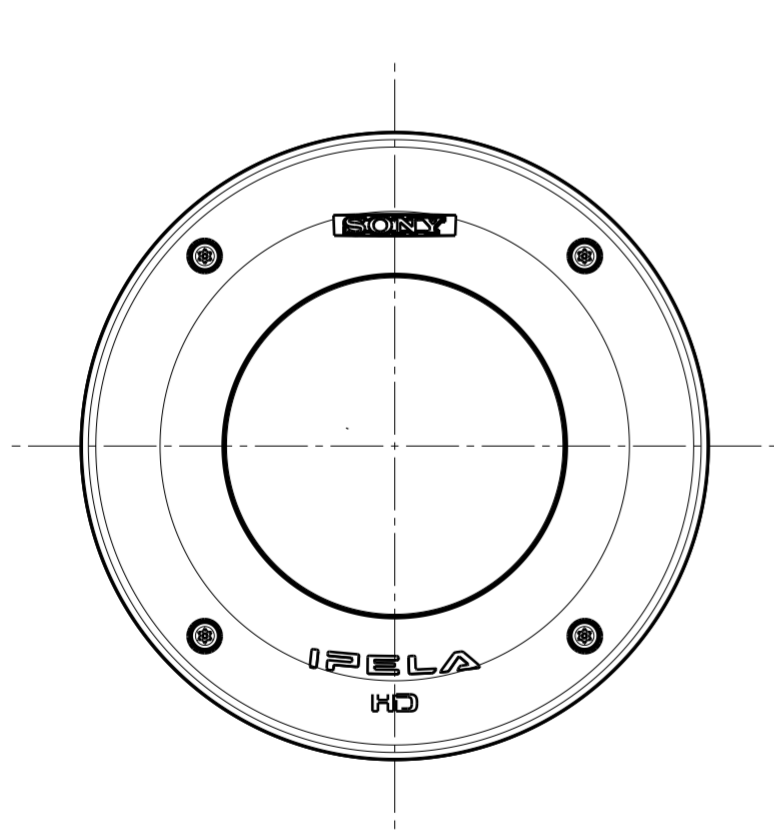
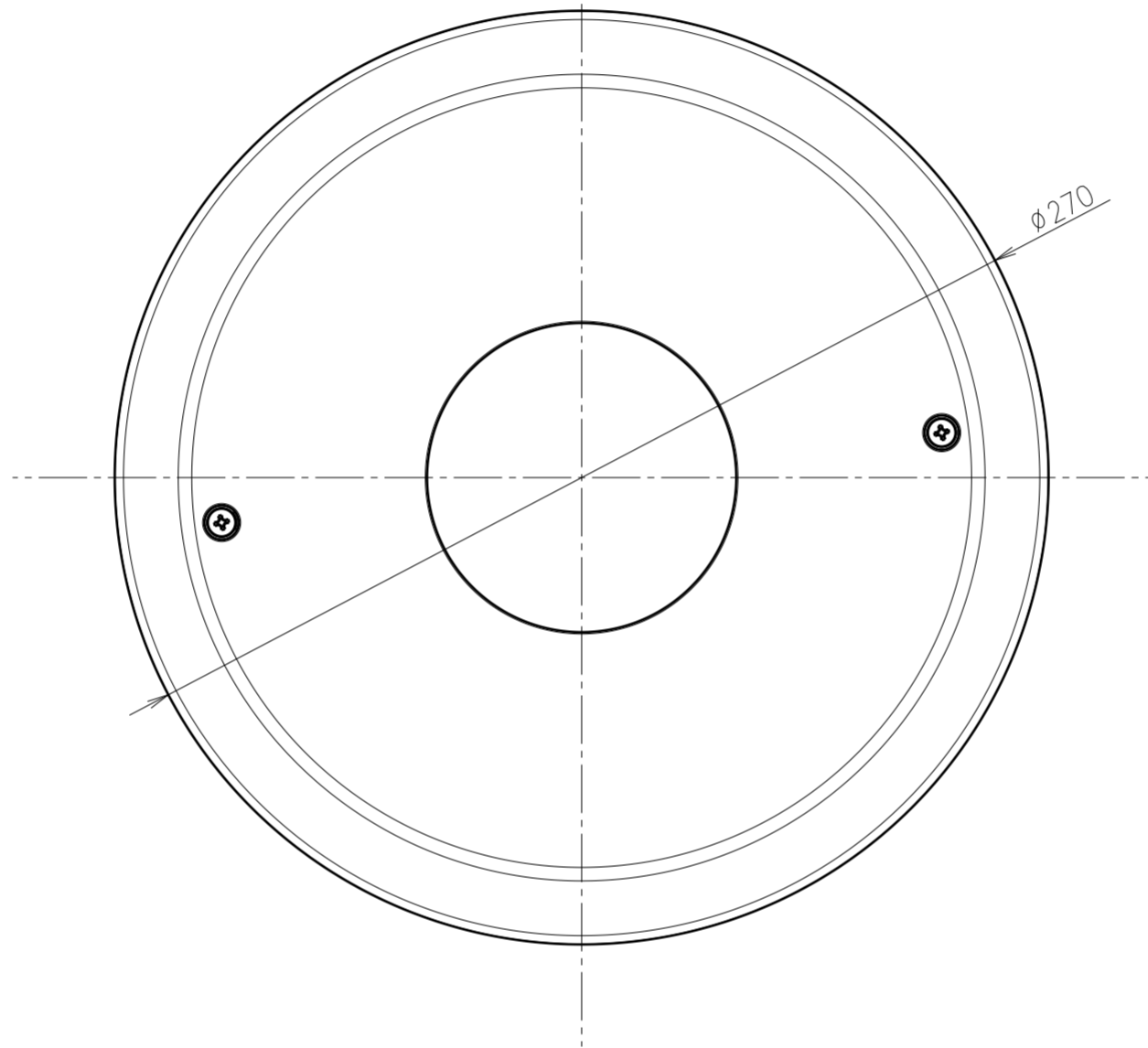
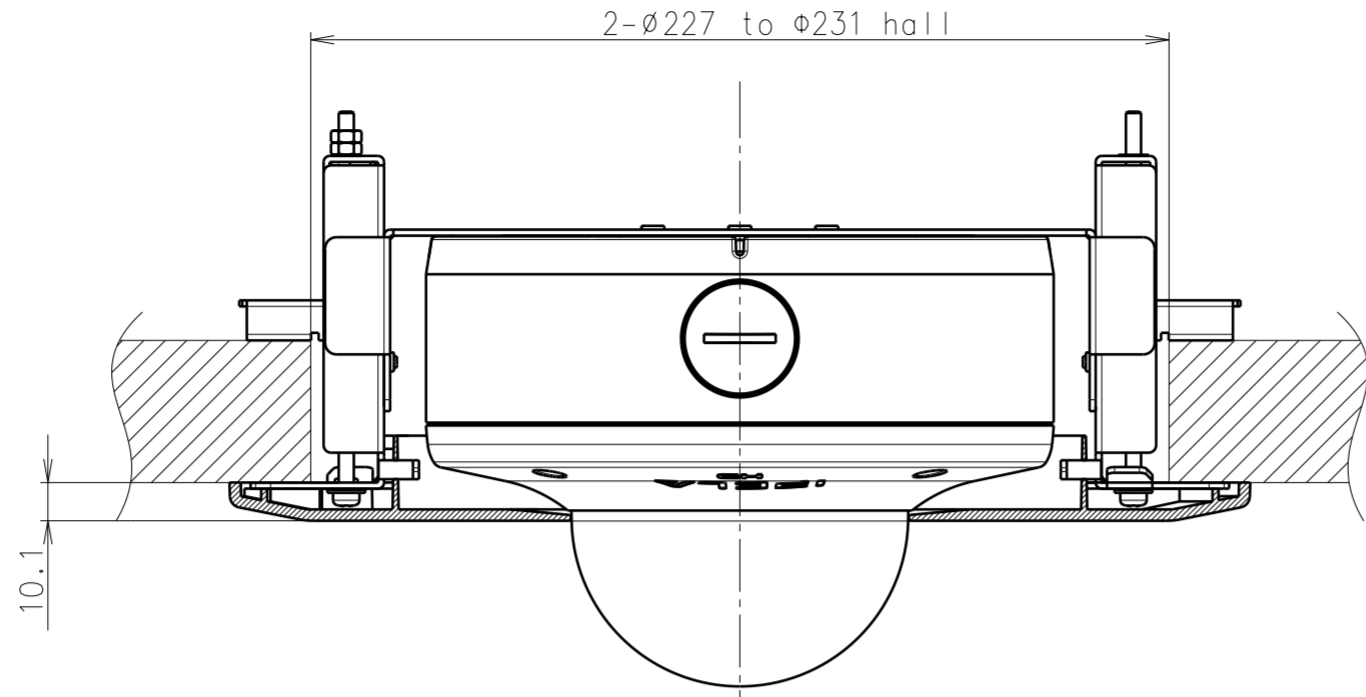


Ceiling Mount

(by using of YT-ICB45)



SNC-DH180
DH160
DH260
DH280

Sep.08,2010