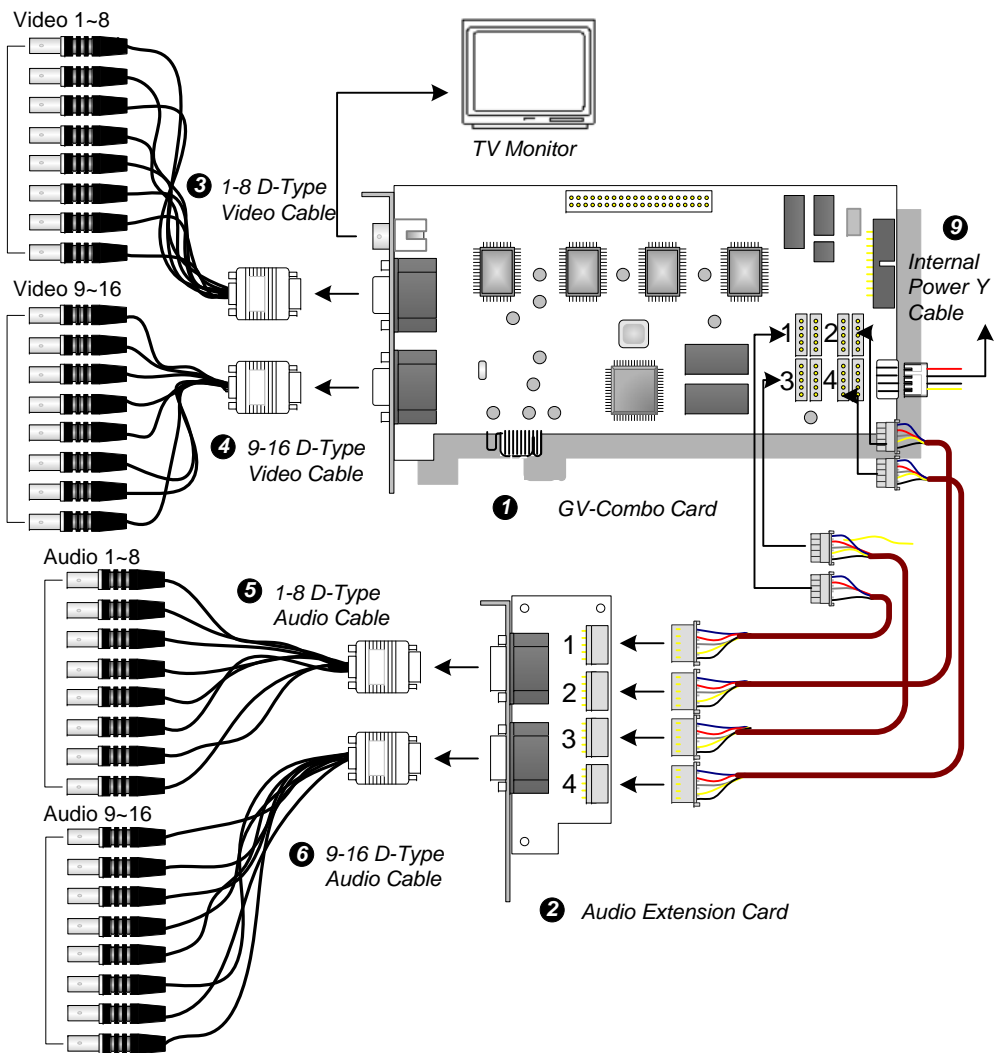


# GV-Combo Card (D-Type PCI-E)

GV-Combo Card (D-Type PCI-E) provides a "single card solution" for video/audio recording and real-time display.

## Packing List

- |                               |                                     |                              |
|-------------------------------|-------------------------------------|------------------------------|
| ❶ GV-Combo Card x 1           | ❸ 1-8 D-Type Audio Cable x 1        | ❹ Internal Power Y Cable x 1 |
| ❷ Audio Extension Card x 1    | ❺ 9-16 D-Type Audio Cable x 1       | ❻ User's Manual x 1          |
| ❸ 1-8 D-Type Video Cable x 1  | ❼ Hardware Watchdog Jumper Wire x 1 |                              |
| ❹ 9-16 D-Type Video Cable x 1 | ❽ Software DVD x 1                  |                              |



## Specifications

Input Type	DB15 x 2 (for Video), DB9 x 2 (for Audio)	
Video Input / Audio Input	GV-1480	16 Channels
	GV-1240	8, 16 Channels
	GV-1120	8, 12, 16 Channels
TV Output	RCA connector x 1	
Recording Rate	GV-1480	480 fps (NTSC), 400 fps (PAL)
	GV-1240	240 fps (NTSC), 200 fps (PAL)
	GV-1120	120 fps (NTSC), 100 fps (PAL)
Display Rate	480 fps (NTSC), 400 fps (PAL)	
Video Resolution	NTSC	720x480, 720x480 De-interlace, 640x480, 640x480 De-interlace, 360x240, 320x240
	PAL	720x576, 720x576 De-interlace, 640x480, 640x480 De-interlace, 360x288, 320x240
Compression Format	Geo MPEG4, Geo MPEG4 (ASP), Geo H264, Geo H264 V2	
GV-NET/IO Card Support	Yes	
Dimensions	212 x 99 (mm) / 8.35 x 3.9 (in)	

## Minimum System Requirements

OS Supported	Windows 2000 / Windows XP / Windows Server 2003 / Windows Vista	
CPU	GV-1480	Pentium 4-3.0 GHz Dual Core
	GV-1240	Pentium 4-3.0 GHz Dual Core
	GV-1120	Pentium 4-3.0 GHz with Hyper-Threading
RAM	2 x 512 MB Dual Channels (Windows 2000 / XP)	
	2 x 1 GB Dual Channels (Windows Server 2003 / Vista)	
HDD	GV-1480	250 GB
	GV-1240	120 GB
	GV-1120	80 GB
VGA	ATI Radeon X600 / NVIDIA 6200	
DirectX	9.0c	

### Note:

- The hard disk space required to install GV-System must be at least 1 GB.
- Currently GV Video Capture Cards are not compatible with VIA-series and ATI-series chipset Motherboards, and 64-bit Windows operating system.
- The recording rate is set to 320 x 240 resolution.
- The PCI-E GV-Combo Card has x1 interface, which can be inserted into the PCI Express x1, x4, x8 or x16 slot.
- This card only works when it connects to PC power supply.