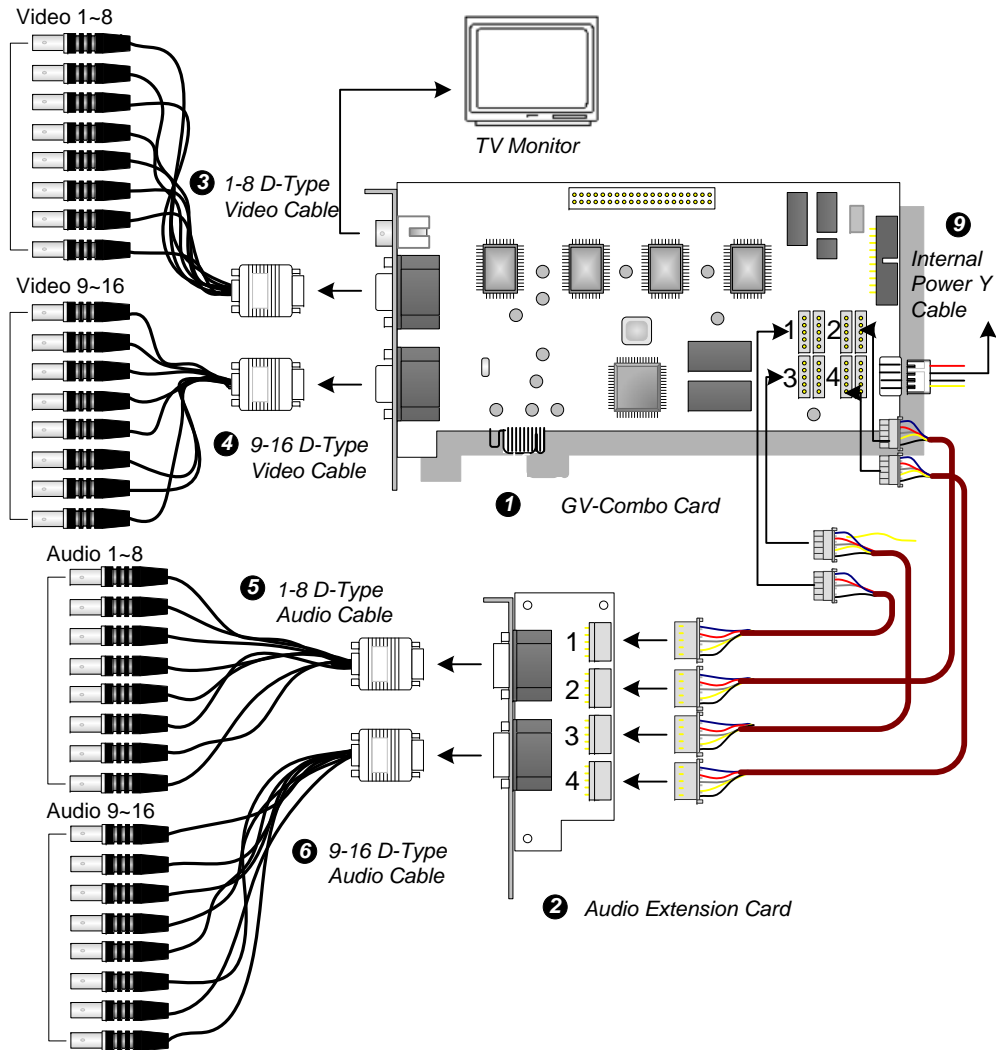


# GV-Combo Card (D-Type PCI-E)

GV-Combo Card (D-Type PCI-E) provides a "single card solution" for video/audio recording and real-time display.

## Packing List

- ❶ GV-Combo Card x 1
- ❷ Audio Extension Card x 1
- ❸ 1-8 D-Type Video Cable x 1
- ❹ 9-16 D-Type Video Cable x 1
- ❺ 1-8 D-Type Audio Cable x 1
- ❻ 9-16 D-Type Audio Cable x 1
- ❼ Internal Power Y Cable x 1
- ❽ User's Manual x 1
- ❾ 1-8 D-Type Video Cable x 1
- ❿ Hardware Watchdog Jumper Wire x 1
- ⓫ 9-16 D-Type Video Cable x 1
- ⓬ Software DVD x 1



## Specifications

Input Type	DB15 x 2 (for Video), DB9 x 2 (for Audio)	
Video Input / Audio Input	GV-1480	16 Channels
	GV-1240	8, 16 Channels
	GV-1120	8, 12, 16 Channels
TV Output	RCA connector x 1	
Recording Rate	GV-1480	480 fps (NTSC), 400 fps (PAL)
	GV-1240	240 fps (NTSC), 200 fps (PAL)
	GV-1120	120 fps (NTSC), 100 fps (PAL)
Display Rate	480 fps (NTSC), 400 fps (PAL)	
Video Resolution	NTSC	720x480, 720x480 De-interlace, 640x480, 640x480 De-interlace, 360x240, 320x240
	PAL	720x576, 720x576 De-interlace, 640x480, 640x480 De-interlace, 360x288, 320x240
Compression Format	Geo MPEG4, Geo MPEG4 (ASP), Geo H264, Geo H264 V2	
GV-NET/IO Card Support	Yes	
Dimensions	212 x 99 (mm) / 8.35 x 3.9 (in)	

## Minimum System Requirements

OS Supported	Windows 2000 / Windows XP / Windows Server 2003 / Windows Vista	
CPU	GV-1480	Pentium 4-3.0 GHz Dual Core
	GV-1240	Pentium 4-3.0 GHz Dual Core
	GV-1120	Pentium 4-3.0 GHz with Hyper-Threading
RAM	2 x 512 MB Dual Channels (Windows 2000 / XP)	
	2 x 1 GB Dual Channels (Windows Server 2003 / Vista)	
HDD	GV-1480	250 GB
	GV-1240	120 GB
	GV-1120	80 GB
VGA	ATI Radeon X600 / NVIDIA 6200	
DirectX	9.0c	

### Note:

1. The hard disk space required to install GV-System must be at least 1 GB.
2. Currently GV Video Capture Cards are not compatible with VIA-series and ATI-series chipset Motherboards, and 64-bit Windows operating system.
3. The recording rate is set to 320 x 240 resolution.
4. The PCI-E GV-Combo Card has x1 interface, which can be inserted into the PCI Express x1, x4, x8 or x16 slot.
5. This card only works when it connects to PC power supply.

[www.vide.com.ua](http://www.vide.com.ua)